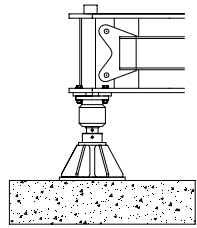
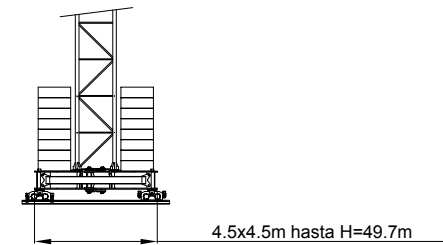
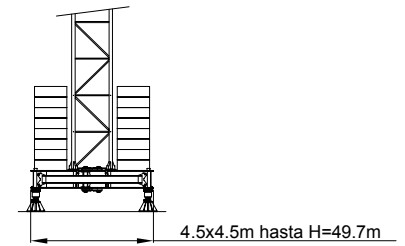
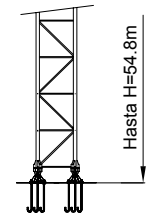
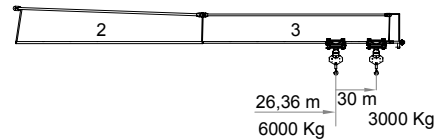
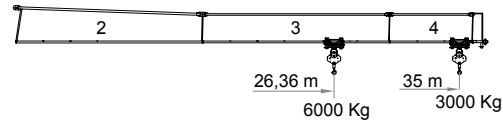
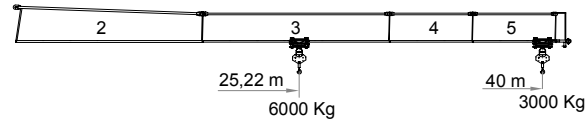
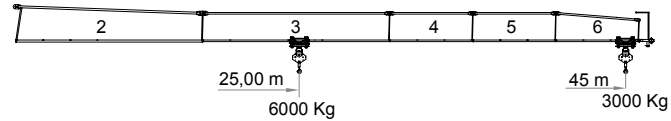
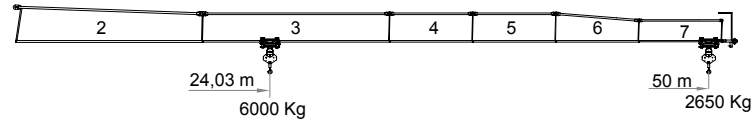
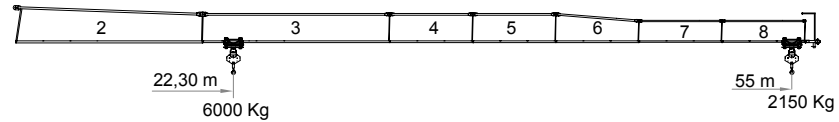
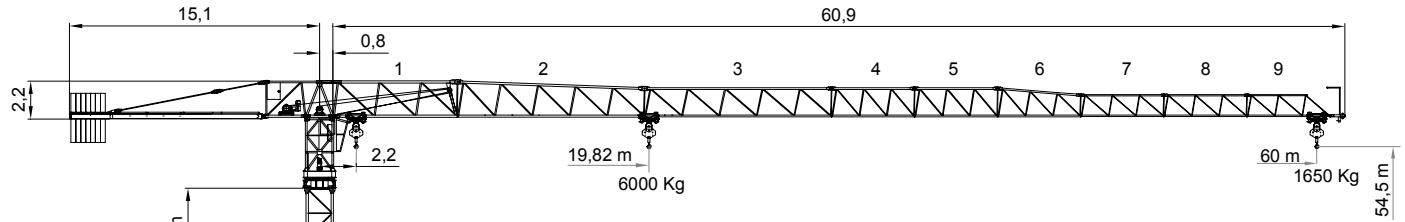


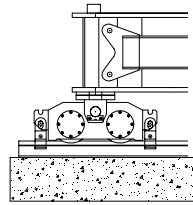


TLS 60

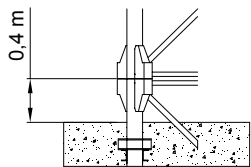
3-6T
1650Kg



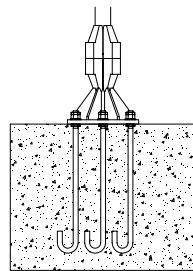
A



B



C



D

DIN/FEM CE

UNE 58-101-92 FEM 1001-87 Gr. A3 DIN 15018 Gr. B3
According to EC 98/37 instruction

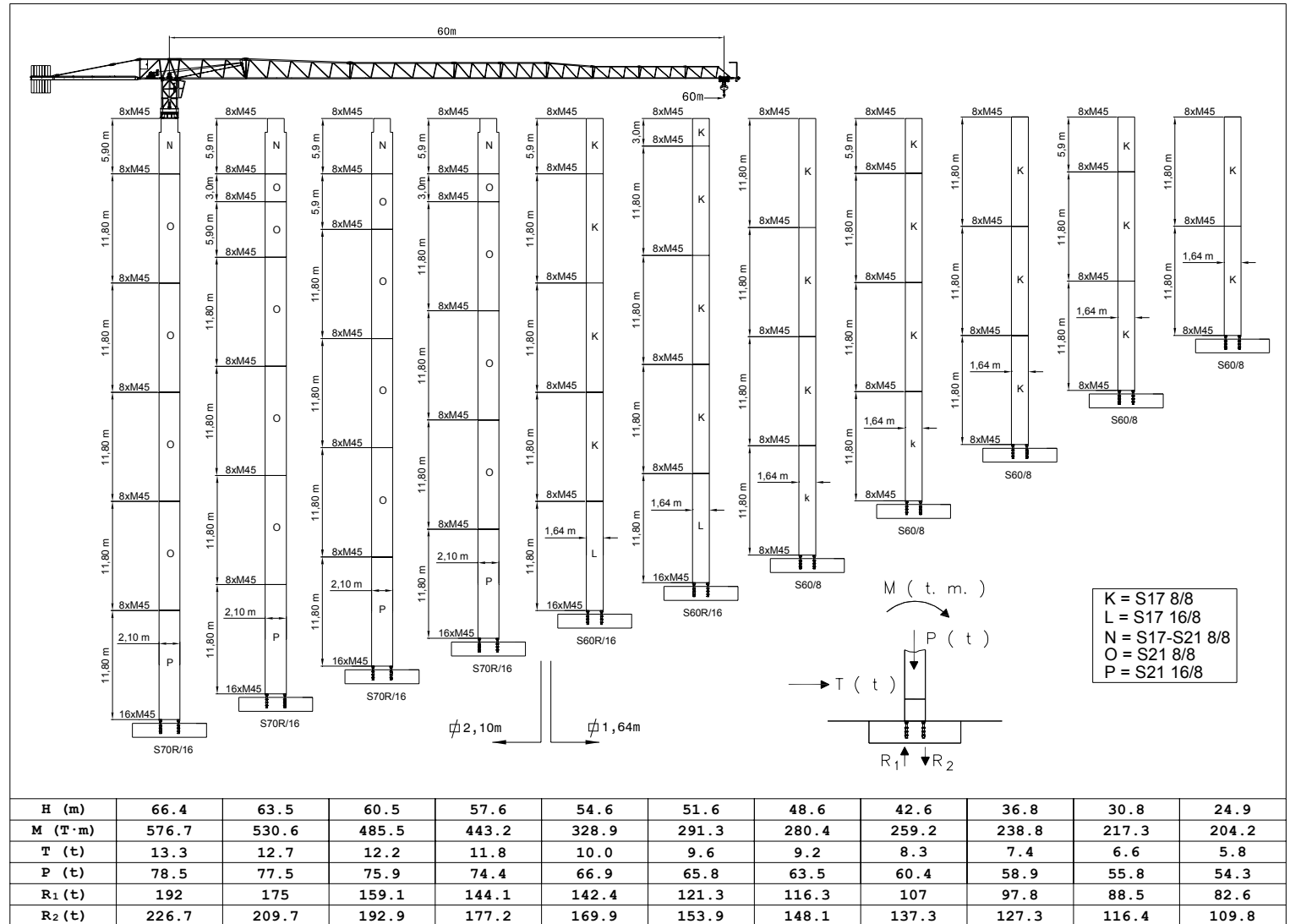


Curvas de cargas
Load diagrams
Lastkurven
Courbes de charges
Curve di carico

| | | | | | | | | | | | | | | |
|-----------|------|------|------|------|------|------|------|------|------|------|------|------|----|--|
| 60 m | 10 | 15 | 20 | 25 | 30 | 35 | 37 | 40 | 45 | 50 | 55 | 60 | m | |
| | 3000 | 3000 | 3000 | 3000 | 3000 | 3000 | 3000 | 2740 | 2370 | 2080 | 1850 | 1650 | Kg | |
| 55 m | 10 | 15 | 19,8 | 20 | 25 | 30 | 35 | 40 | 45 | 50 | 55 | 60 | m | |
| | 6000 | 6000 | 6000 | 5940 | 4580 | 3690 | 3060 | 2590 | 2200 | 1930 | 1700 | 1500 | Kg | |
| 50 m | 10 | 15 | 20 | 25 | 30 | 35 | 40 | 41,8 | 45 | 50 | 55 | m | | |
| | 3000 | 3000 | 3000 | 3000 | 3000 | 3000 | 3000 | 3000 | 2750 | 2420 | 2150 | Kg | | |
| 45 m | 10 | 15 | 20 | 22,3 | 25 | 30 | 35 | 40 | 45 | 50 | 55 | m | | |
| | 6000 | 6000 | 6000 | 6000 | 5260 | 4250 | 3540 | 3010 | 2600 | 2270 | 2000 | Kg | | |
| 40 m | 10 | 15 | 20 | 25 | 30 | 35 | 40 | 45 | 45,1 | 50 | m | | | |
| | 3000 | 3000 | 3000 | 3000 | 3000 | 3000 | 3000 | 3000 | 3000 | 2650 | Kg | | | |
| 35 m | 10 | 15 | 20 | 24 | 25 | 30 | 35 | 40 | 45 | 50 | m | | | |
| | 6000 | 6000 | 6000 | 6000 | 5730 | 4640 | 3870 | 3300 | 2850 | 2500 | Kg | | | |
| 30 m | 10 | 15 | 20 | 25 | 30 | 35 | 40 | 45 | m | | | | | |
| | 3000 | 3000 | 3000 | 3000 | 3000 | 3000 | 3000 | 3000 | Kg | | | | | |
| 25 m | 10 | 15 | 20 | 25 | 30 | 35 | 40 | 45 | m | | | | | |
| | 6000 | 6000 | 6000 | 6000 | 4860 | 4060 | 3460 | 3000 | Kg | | | | | |
| 20 m | 10 | 15 | 20 | 25 | 30 | 35 | 40 | m | | | | | | |
| | 3000 | 3000 | 3000 | 3000 | 3000 | 3000 | 3000 | Kg | | | | | | |
| 15 m | 10 | 15 | 20 | 25 | 30 | 35 | 40 | m | | | | | | |
| | 6000 | 6000 | 6000 | 6000 | 4860 | 4060 | 3460 | 3000 | Kg | | | | | |
| 10 m | 10 | 15 | 20 | 25 | 30 | 35 | 40 | m | | | | | | |
| | 3000 | 3000 | 3000 | 3000 | 3000 | 3000 | 3000 | Kg | | | | | | |
| 5 m | 10 | 15 | 20 | 25 | 25,2 | 30 | 35 | 40 | m | | | | | |
| | 6000 | 6000 | 6000 | 6000 | 6000 | 4910 | 4100 | 3500 | Kg | | | | | |
| 0 m | 10 | 15 | 20 | 25 | 30 | 35 | m | | | | | | | |
| | 3000 | 3000 | 3000 | 3000 | 3000 | 3000 | Kg | | | | | | | |
| -5 m | 10 | 15 | 20 | 25 | 26,2 | 30 | 35 | m | | | | | | |
| | 6000 | 6000 | 6000 | 6000 | 6000 | 5140 | 4300 | Kg | | | | | | |
| -10 m | 10 | 15 | 20 | 25 | 30 | m | | | | | | | | |
| | 3000 | 3000 | 3000 | 3000 | 3000 | Kg | | | | | | | | |
| -15 m | 10 | 15 | 20 | 25 | 26,4 | 30 | m | | | | | | | |
| | 6000 | 6000 | 6000 | 6000 | 6000 | 5150 | Kg | | | | | | | |



Mástil / Reacciones
Masts / Reactions
Maste / Eckdrücke
Mat / Réactions
Torre / Reazioni





**Mecanismos
Mechanisms
Antriebe
Mécanismes
Meccanismi**

33 Hp (24Kw) - 3vel.

| | | | | | | | |
|--|-------|---------|------|------|---------|------|------|
| | | | | | | | |
| | m/min | 8 | 37 | 74 | 4 | 18,5 | 37 |
| | Kg | 3000 | 3000 | 1500 | 6000 | 6000 | 3000 |
| | Kw | 24 | 24 | 24 | 24 | 24 | 24 |
| | m/min | 30 / 60 | | | 30 / 60 | | |
| | Kw | 3,0 | | | 3,0 | | |
| | r.p.m | 0,3 | 0,6 | 0,9 | 0,3 | 0,6 | 0,9 |
| | Nm | 2 x 65 | | | 2 x 65 | | |
| | m/min | 12 / 24 | | | 12 / 24 | | |
| | Kw | 4 x 3 | | | 4 x 3 | | |

* 33 Hp (24Kw) - 3VF.

| | | | | | | | | | |
|--|-------|------|------|------|------|------|------|------|------|
| | | | | | | | | | |
| | m/min | 45 | 50 | 60 | 100 | 22,5 | 25 | 30 | 50 |
| | Kg | 3000 | 2500 | 2000 | 1250 | 6000 | 5000 | 4000 | 2500 |
| | Kw | 24 | 24 | 24 | 24 | 24 | 24 | 24 | 24 |

* 45 Hp (33Kw) -VF.

| | | | | | | | |
|--|-------|------|------|------|------|------|------|
| | | | | | | | |
| | m/min | 60 | 80 | 120 | 30 | 40 | 60 |
| | Kg | 3000 | 2000 | 1250 | 6000 | 4000 | 2500 |
| | Kw | 33 | 33 | 33 | 33 | 33 | 33 |

* Opcional / Optional / Opzionale /

Elevación / Hoisting / Heben / Levage / Sollevamento

Distribución / Trolleying / Katzfahren / Distribution / Distributions

Orientación / Slewing / Schwenken / Orientation / Rotazione

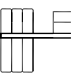
Traslación / Travelling / Schienenfahren / Translation / Traslazione

| | |
|--|----------------|
| | 380 V 50 Hz |
|--|----------------|

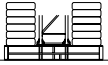
| |
|--------|
| 55 kVA |
|--------|



Bloque de contrapeso
Counterweight blocks
Gegengewichtsblöcke
Bloc de contrepoid
Blocco di contrappeso

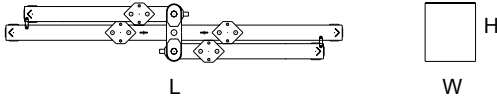
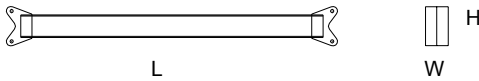
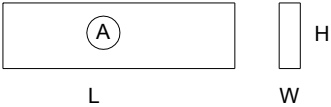
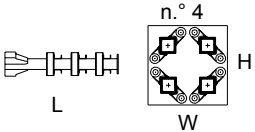

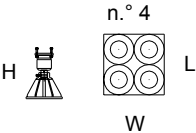
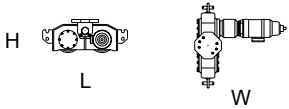
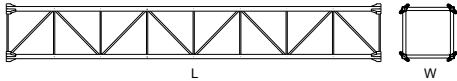
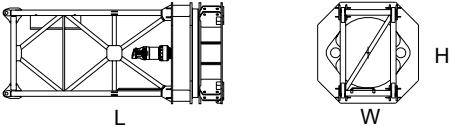

|  | 60 m | | | 55 m | | | 50 m | | | 45 m | | | 40 m | | | 35 m | | | 30 m | | |
|---|----------|---|---|----------|---|---|----------|---|---|----------|---|---|----------|---|---|----------|---|---|----------|---|---|
| | A | B | C | A | B | C | A | B | C | A | B | C | A | B | C | A | B | C | A | B | C |
| | 7 | - | - | 7 | - | - | 6 | 1 | - | 5 | 2 | - | 5 | 1 | - | 4 | 2 | - | 4 | 1 | - |
| | 16100 Kg | | | 16100 Kg | | | 15200 Kg | | | 14300 Kg | | | 12900 Kg | | | 12000 Kg | | | 10600 Kg | | |

Bloque lastre de base
Base ballast block
Grundballastblöcke
Bloc de lest de base
Blocco di zavorra alla base

|  | 14,30 m | 20,20 m | 26,10 m | 32,0 m | 37,90 m | 45,80 m | 49,70 m |
|---|-------------|---------|---------|--------|---------|---------|---------|
| | 4,5 x 4,5 m | 48 t | 60 t | 72 t | 84 t | 96 t | 120 t |

| | | L (m) | W (m) | H (m) | Peso (Kg) | |
|--|---|-------|-------|-------|-----------|------|
| <p>Pluma tramo primero Jib heel section Ausleger-Anlenkstück Pied de flèche Settore articolato di braccio</p> | | 11,90 | 1,25 | 2,30 | 5500 | |
| <p>Elemento intermedio de pluma Intermediate jib section Ausleger-Zwischenstück Élément interm. de flèche Spezzone di braccio</p> | <p>N° 2</p> | 2 | 11,60 | 1,13 | 2,25 | 2145 |
| | <p>N° 6</p> | 3 | 11,60 | 1,13 | 1,80 | 1676 |
| | | 4 | 5,30 | 1,13 | 1,80 | 596 |
| | | 5 | 5,30 | 1,13 | 1,80 | 516 |
| | <p>N° 3, N° 4, N° 5</p> | 6 | 5,30 | 1,13 | 1,80 | 444 |
| | <p>N° 7, N° 8</p> | 7 | 5,30 | 1,13 | 1,45 | 410 |
| | | 8 | 5,30 | 1,13 | 1,45 | 320 |
| | | 9 | 5,15 | 1,13 | 1,40 | 238 |
| | <p>Gancho, Carro y Puntera Hook, Trolley and jib head Lasthaken - Laufkatze-Cabeça de Lança Crochet - Chariot-Pointe de flèche Gancio - Carrello e Punta freccia</p> | | 1,20 | 1,35 | 0,80 | 276 |
| | | 0,80 | 0,15 | 1,50 | 316 | |
| | | 0,80 | 1,20 | 1,40 | 75 | |
| <p>Contrapluma Counter-jib Gegenausleger Contre-flèche Controbraccio</p> | | 11,80 | 1,80 | 0,60 | 2840 | |
| <p>Bloque de contrapeso Counterweight blocks Gegengewichtsblöcke Bloc de contrepoids Blocco di contrappeso</p> | | 2,95 | 1,25 | 0,30 | 2300 | |
| | | 1,70 | 1,25 | 0,30 | 1400 | |



| | | L (m) | W (m) | H (m) | Peso (Kg) | |
|---|---|--|-------|-------|-----------|------|
| Base Cruciforme 4,5 X4,5 Crossbase 4,5 X 4,5 Fundamentkreuz 4,5 X 4,5 Châsis 4,5 X 4,5 Carro base 4.5 X 4.5 |  | 6,70 | 1,10 | 1,20 | 5900 | |
| | Vigas auxil. de base Half base beams Halbträger für fundamentkreuz Semipoutre de châsis de base Travi di congiunzi di congiunzione |  | 4,40 | 0,30 | 0,55 | 450 |
| Bloque lastre de base Base ballast block Grundballastblöcke Bloc de lest de base Blocco di zavorra alla base |  | 4,40 | 0,30 | 1,20 | 3800 | |
| Elemento de empotre Elementos atornillados Foundation anchor Tied sections Fundamentanker Pyramide M. schrauben Élément de scellement Éléments vissés El annegare El recuperabile |  | 1,50 | 0,70 | 0,70 | 750 | |
| |  | 1,35 | 1,35 | 0,60 | 1150 | |
| Niveladores Traslacion Levellers Travelling bogies Spindel pyramide Kranfahren Niveleurs Traslacion Piedi regolabile Traslazione |  | 1,20 | 1,20 | 0,90 | 1150 | |
| |  | 1,15 | 1,25 | 0,45 | 800 | |
| Elemento de torre TL16 Tower section TL16 Turmstück TL16 Elcment de mât TL16 Elemento di torre TL16 |  | TL16 | 11,80 | 1,85 | 1,85 | 4600 |
| | | TR16 | 11,80 | 1,85 | 1,85 | 5740 |
| | | TS16 | 5,95 | 1,85 | 1,85 | 2450 |
| | | TC16 | 3,00 | 1,85 | 1,85 | 1380 |
| Unidad de rotacion Complete slewing unit Drehbühne Orientation Rotazione |  | 4,40 | 2,00 | 2,00 | 6400 | |
| Cabina y soporte Cabin and support Kabine und wartungs Cabine et support Cabina e supporto |  | 3,00 | 1,15 | 2,35 | 500 | |

ESPECIFICACIONES SUJETAS A MODIFICACIONES SIN PREVIO AVISO.
Specifications subject to modification without notice.
Obiges kann ohne berstaendigung geaendert werden.
Specifications susceptibles de modification sans avis préalable.
Specifiche suscettibili di variazioni senza preavviso.

DECLINAMOS TODA RESPONSABILIDAD DERIVADA DE LA INFORMACION PROPORCIONADA.
This information is supplied without liability.
Sämtliche Angaben erfolgen ohne Gewähr.
Ces renseignements sont sans garantie.
Le indicazioni contenute si intendono salvo errori ed omissioni.



Santana UA Group LLC

Tel.: +38044 3320553. 3312332

www.s-bud.com.ua

e-mail s-bud@i.ua